

Common Mode Inductors (with Header)

Special Features

- Single layer wound
- Excellent EMI suppression capability over wide frequency spectrum
- High current capacity
- Dielectric strength: 1500 Vrms
- Coil mount on VW-1 rated plastic header
- Fixed pin spacing allow easy PCB insertion
- Operating temperature: -55 to +105 °C

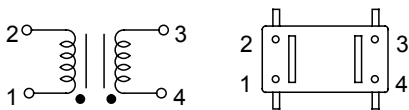
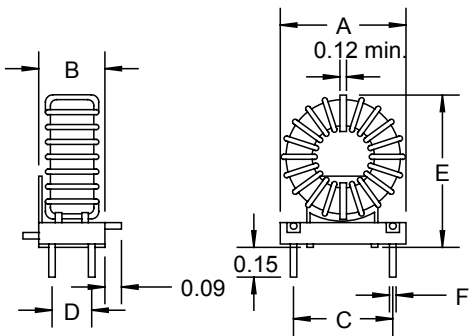
Notes

* Rated current to cause approx. 35 °C temperature rise

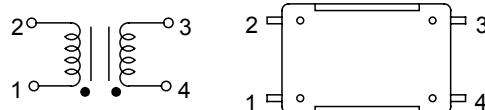
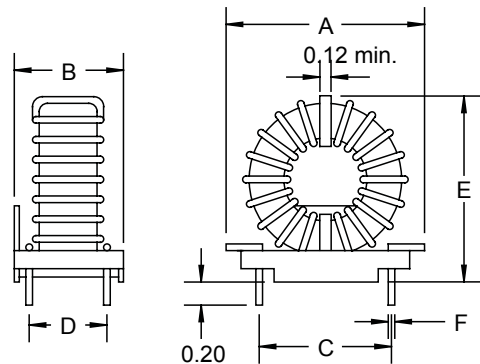
† RoHS Directive 2002/95/EC Jan 27 2003 including Annex.

8100 Series										
Part Number	L (mH)		DCR	Leakage	Dim. A	Dim. B	Dim. C	Dim. D	Dim. E	Dim. F
	Min. @ 1 KHz	I (A)* Max.	(Ω) Max.	Inductance (μH) Typ.	Max.	±0.01	±0.015	±0.015	Max.	Max.
8101-RC	4	1.7	0.173	27	0.76	0.425	0.600	0.250	0.90	0.040
8102-RC	2.5	2.4	0.09	17	0.76	0.425	0.600	0.250	0.90	0.040
8103-RC	1	4.8	0.022	7	0.76	0.425	0.600	0.250	0.90	0.040
8104-RC	10	2.4	0.17	45	1.20	0.60	0.800	0.400	1.20	0.050
8105-RC	7	2.8	0.12	32	1.20	0.60	0.800	0.400	1.20	0.050
8106-RC	5	3.7	0.07	23	1.20	0.60	0.800	0.400	1.20	0.050
8107-RC	2	6.6	0.022	9	1.20	0.60	0.800	0.400	1.20	0.050
8108-RC	1	10	0.01	4.5	1.20	0.60	0.800	0.400	1.20	0.050
8109-RC	30	2.3	0.33	136	1.35	0.80	0.900	0.600	1.45	0.050
8110-RC	20	2.9	0.21	95	1.35	0.80	0.900	0.600	1.45	0.050
8111-RC	12	4	0.11	57	1.35	0.80	0.900	0.600	1.45	0.050
8112-RC	8	5.6	0.055	38	1.35	0.80	0.900	0.600	1.45	0.050
8113-RC	5	8.9	0.022	25	1.45	0.80	0.900	0.600	1.50	0.043
8114-RC	2.5	12.5	0.011	12.5	1.45	0.80	0.900	0.600	1.50	0.053
8115-RC	1.2	16	0.006	6	1.50	0.80	0.900	0.600	1.53	0.060
8116-RC	50	2.3	0.45	230	1.55	0.80	0.900	0.600	1.65	0.050
8117-RC	36	2.9	0.3	167	1.55	0.80	0.900	0.600	1.65	0.050
8118-RC	7.3	9.3	0.032	30.5	1.65	0.80	0.900	0.600	1.65	0.043
8119-RC	4	14.5	0.012	16	1.70	0.90	1.200	0.700	1.65	0.060
8120-RC	2.4	17	0.008	9.6	1.70	0.90	1.200	0.700	1.65	0.067
8121-RC	1	20	0.007	4	1.70	0.90	1.200	0.700	1.65	0.067

"-RC" suffix indicates RoHS compliance.



8101-8103



8104-8121

Dimensions: Inches